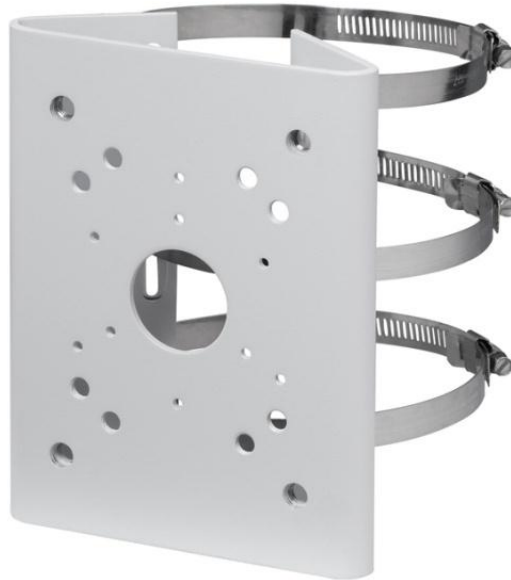


IP-BKT-PFA150

Pole Mount Bracket



Features

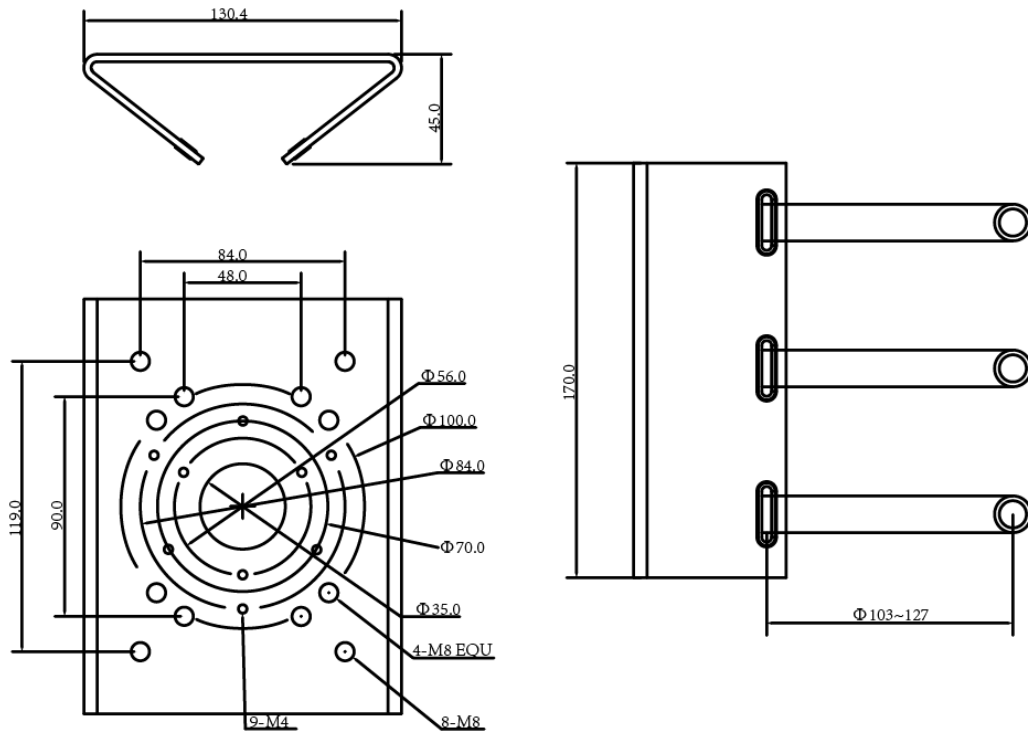
- Material: SECC
- Pole Mount Bracket
- Neat & Integrated design

Specifications

Model	IP-BKT-PFA150
General	
Material	SECC
Dimension (W x H x D)	130.4mm x 170mm x 45mm
Pipe Thread	N/A
Operating Temperature	-40°C ~60°C
Humidity	0~90% RH
Load Bearing	10.0Kg
Weight	0.93Kg
Applicable Model	IP-BKT-PFA120, IP-BKT-PFA300C, IP-BKT-PFB300S, IP-BKT-PFB300W

IP-BKT-PFA150

Dimensions (mm)



Application

